

DURACELL
RECHARGE ULTRA



DX1500

Size: AA **2400 mAh** (HR6)
Rechargeable NiMH Battery

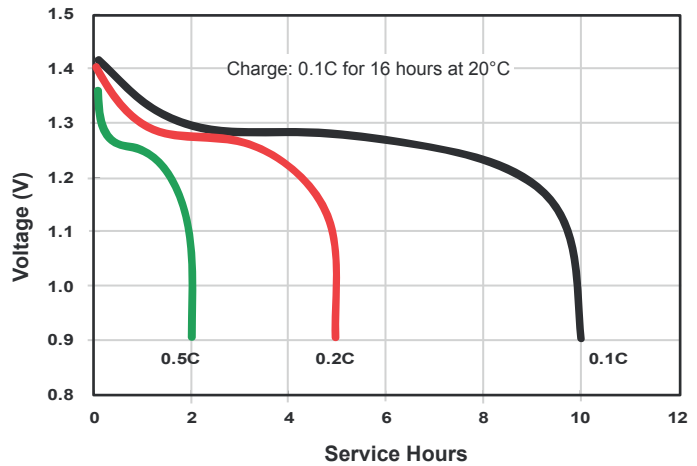
NiMH



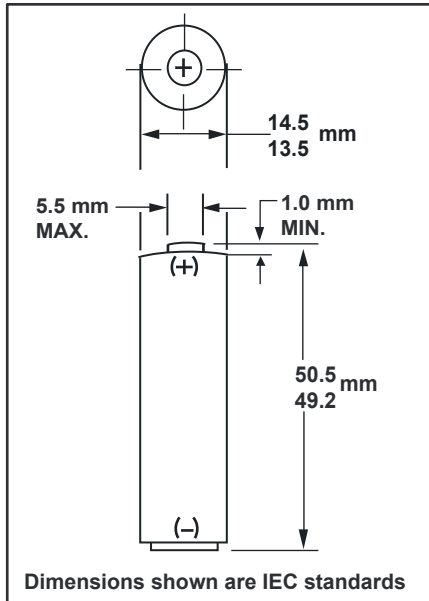
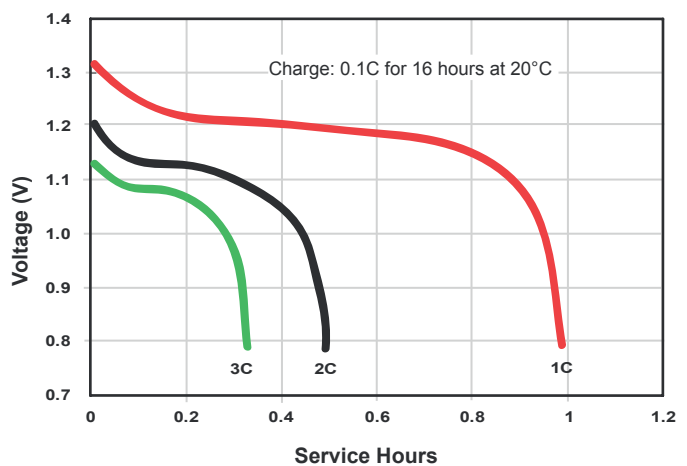
Specifications

Classification:	Cylindrical Rechargeable
Chemical System:	Nickel Metal Hydride (NiMH)
Designation:	ANSI-1.2H1, IEC-HR6
Nominal Voltage:	1.2V
Operating Voltage:	1.0V -1.35V
Operating Temp:	-10°C to 50°C (-14°F to 122°F)
Storage Temp:	5°C to 30°C
Typical Weight:	30 g
Typical Volume:	8.3 cubic centimeters (.50 cubic inch)
Typical Impedance:	20 milliohm @ 1kHz
Rated Capacity:	2400mAh
Safety Features:	Pressure release resettable vent

Low Rate Discharge



High Rate Discharge



Information and contents in this data sheet are for reference purposes only. They do not constitute any warranty and representation is subject to change without notice. For most current information and further details, please contact Duracell.

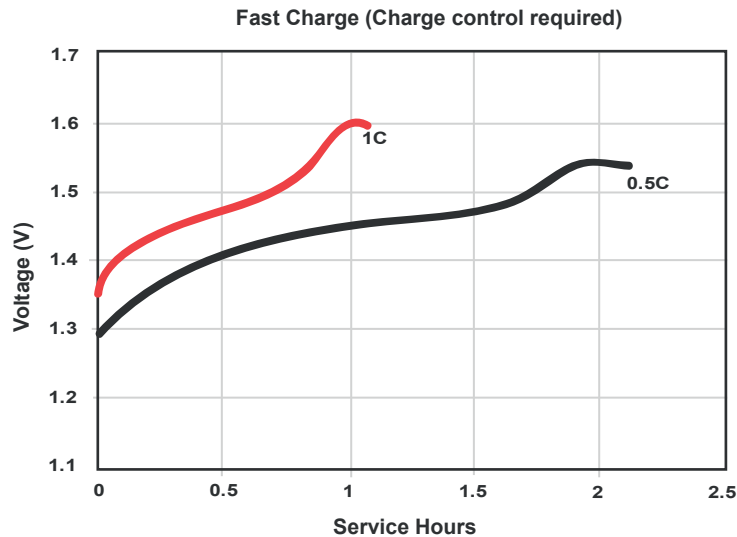
DURACELL[®]
RECHARGE ULTRA



DX1500

Size: AA **2400 mAh** (HR6)
Rechargeable NiMH Battery

NiMH



Product can be charged on most nickel metal hydride (NiMH) chargers utilizing standard dV, dV/dt, time and temperature dynamic charge termination methods. Duracell brand chargers are recommended for best results.

DURACELL[®]
BATTERIES

Berkshire Corporate Park
Bethel, CT 06801 U.S.A.
Telephone: Toll free 1.800.544.5454
Internet: www.duracell.com

*Delivered capacity is dependent on the applied load, intermittent usage, operating temperature and cut off voltage. Please refer to the charts for examples of energy/service life that the battery will provide for various conditions.

Information and contents in this data sheet are for reference purposes only. They do not constitute any warranty and representation is subject to change without notice. For most current information and further details, please contact Duracell.